



- Meets the standards and requirements of **MIL-PRF-6106**

PRINCIPLE TECHNICAL CHARACTERISTICS

- **Main contacts rated at** 115/200Vac, 400 Hz, 275 Amp
- **Coil supply** 28 Vdc
- **Weight** 2 lb max
- **Dimensions** 4.50 in x 3.67 in x 2.94 in max
- **Special units available upon request**

CONTACT ELECTRICAL CHARACTERISTICS

Contact rating per pole and load type (Amps)	All Model	WB-X1YN	WB-X2YN
	Main 115/200Vac, 400 Hz	Auxiliary AUX-3PDT NO 28Vdc	Auxiliary AUX-2PDT+3PST NO 28Vdc
Resistive	275	5	5mA - 0.5A (1)
Inductive [2]	275	3	5mA - 0.5A (1)
Repture	1,900	-	-

COIL CHARACTERISTICS (Vdc)

CODE	Y [6] Vdc	YN [5] [6] Vdc
Nominal operating voltage	28	28
Maximum operating voltage	32	32
Pick-up voltage, maximum		
- Nominal	18	18
- High temp test	20	20
- Continuous current test	22.5	22.5
Drop-out voltage, maximum	10	10
Coil resistance in Ohms $\pm 10\%$ at +25° C [4]	5.4/60	5.4/60
Coil current max. @ nom. Volt. and +25° C	-	5/0.400

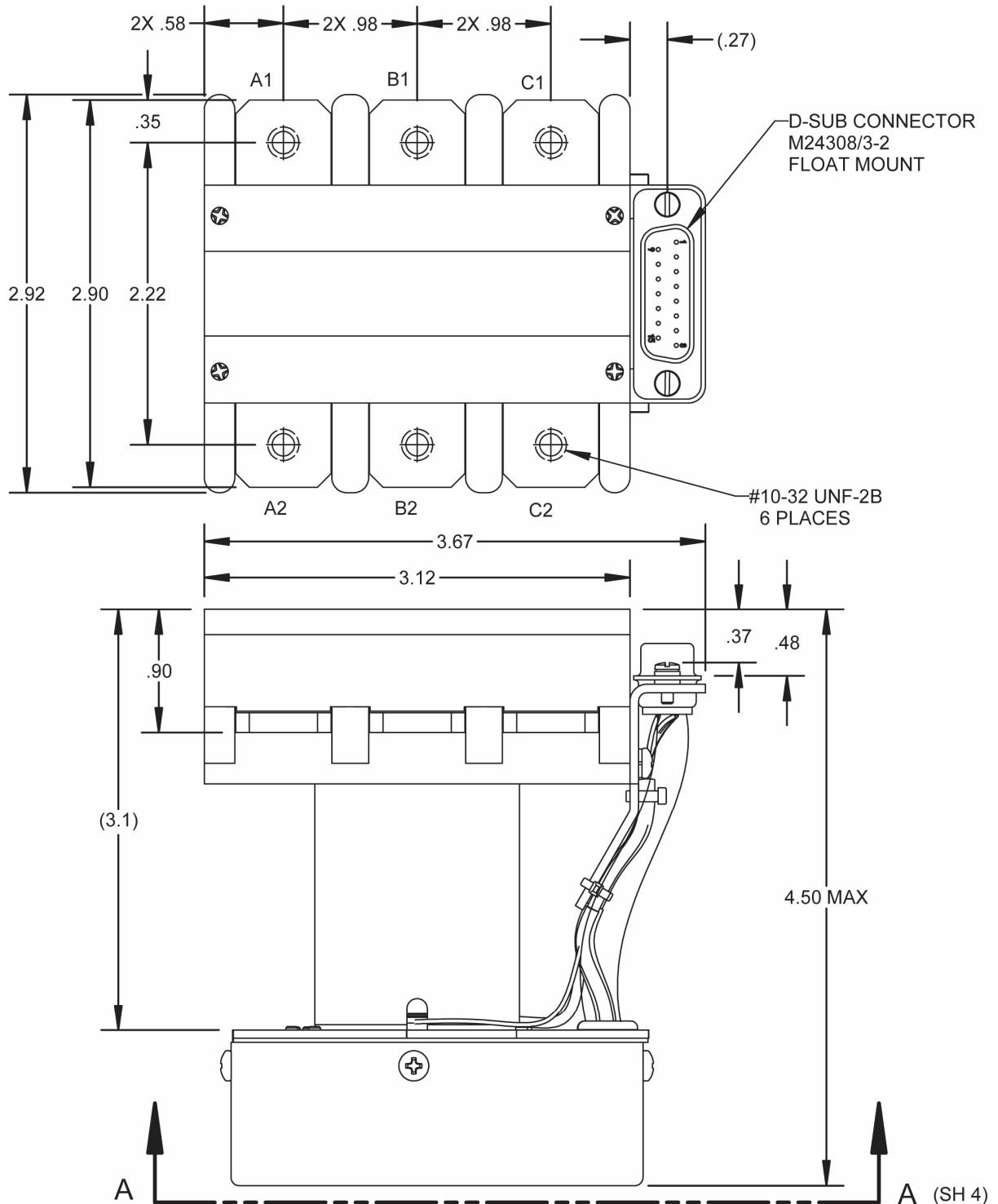
GENERAL CHARACTERISTICS

Temperature range	-54°C to 85°C
Minimum operating cycles (life) at rated load	50,000
Minimum operating cycles (life) at 25% rated resistive load (2)	100,000
Dielectric strength at sea level	
All circuits to ground and circuit to circuit	1500 Vrms
Coil to ground and aux. contacts	500 Vrms
Dielectric strength at altitude:	
Main contacts	1250 Vrms
Coil and aux. contacts	500 Vrms
Insulation resistance	
Initial (500 Vdc)	100 M Ω min
After environmental tests (500 Vdc)	50 M Ω min
Sinusoidal vibration	10G / 70 to 2000 Hz d.a. 0.06in/10-70Hz
Shock	20G for 11ms per spec.
Operate time at nominal voltage	25 ms max
Release time at nominal voltage	15 ms max
Contact bounce at nominal voltage	4 ms max
Altitude	45,000 feet

Unless otherwise noted, the specified temperature range applies to all relay characteristics.

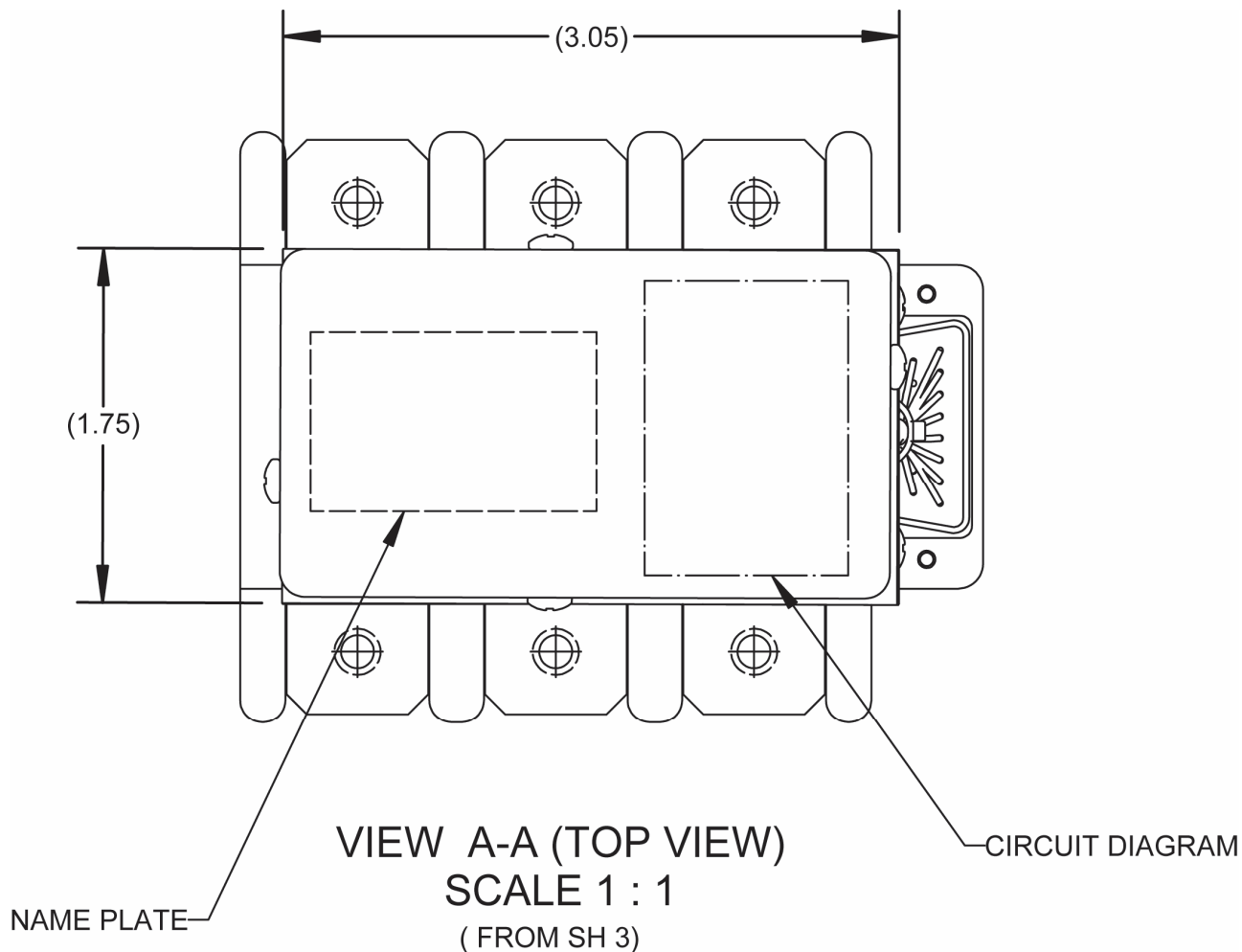
Dimensions in inches
Tolerances, unless otherwise specified
XX ± 0.03 in
XXX ± .010 in

CONFIGURATION STYLES

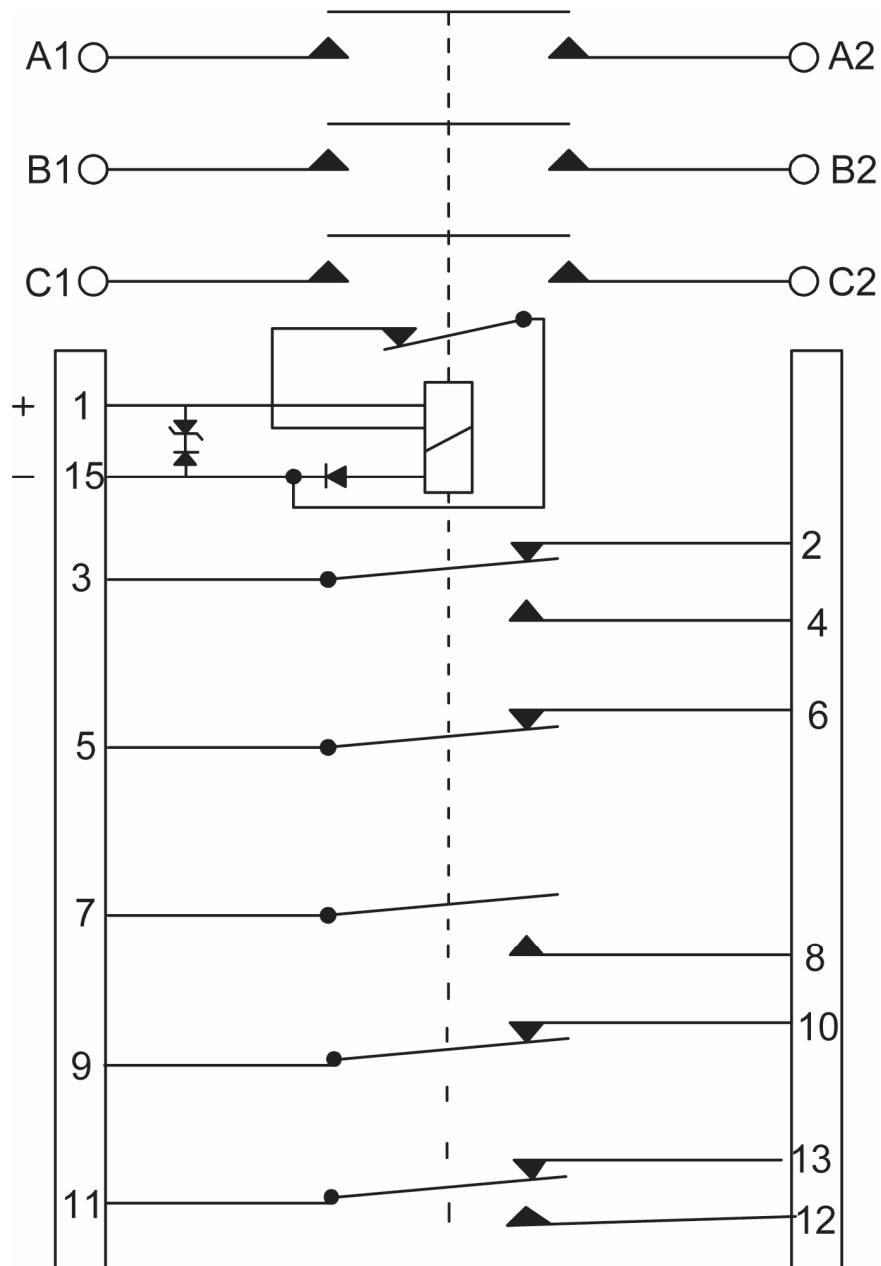


Dimensions in inches
Tolerances, unless otherwise specified
XX ± 0.03 in
XXX ± .010 in

CONFIGURATION STYLES



TERMINAL CONFIGURATION AND CIRCUIT DIAGRAMS



PIN NO. 14 IS SPARE.

NOTE: Although all configuration and/or terminal type options are available, some combinations may require a setup charge and be subject to minimum order size.

NUMBERING SYSTEM



NOTES

1. Auxiliary rating. Greater values are available upon request. Please consult factory.
2. Inductive load life: 10,000 cycles.
3. Alternate contact configurations and other special models available upon request. Please contact factory.
4. Busbar mounting hardware #10-32 captive screws available upon request.
5. Back EMF suppression to 56 volts max.
6. Economizer coils have a lower resistance primary coil for faster operate time. Once relay operates, the coil switches to a higher resistance for lower power drain. Do not ramp up voltage on these coils.
7. This series drawing is for general use only. Please consult factory for special requirements.

For any inquiries, please contact your local sales representative: leachcorp.com