



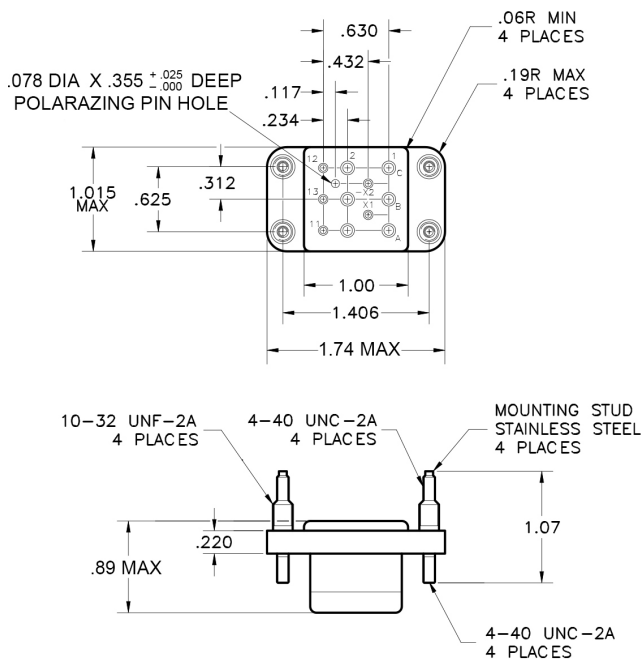
Basic socket series designation for:

Series KDA

Designed to the standards and requirements of:

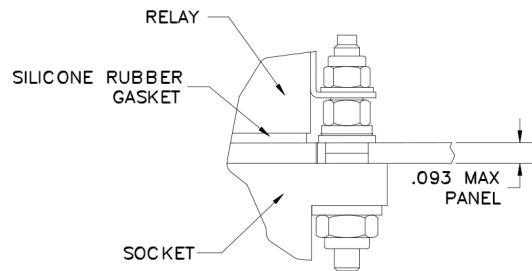
MIL-S-12883

SOCKET DRAWING

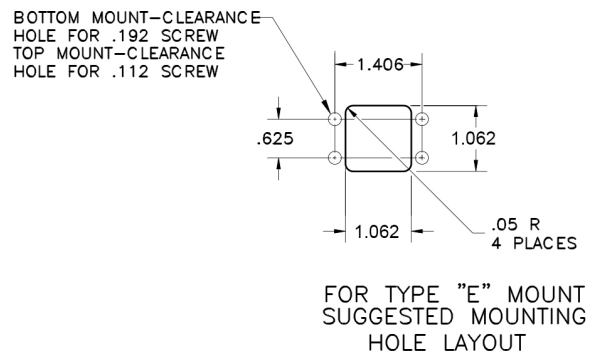


HARDWARE MOUNTING

MOUNTING DETAIL 4 PLACES



MOUNTING DIMENSIONS



GENERAL CHARACTERISTICS

1. Supplied with mounting hardware and No. 12 contacts and crimp for power terminals; No. 16 contacts and crimp for coil terminals.	
2. Standard tolerances	.xx ± .01; xxx ± .005
3. Weight	.122 lbs. max
4. Temperature range	-65° C to +125° C