



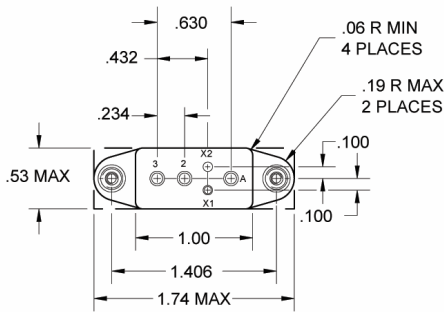
Basic socket series designation for: _____

JCL

Meets the requirements of: _____

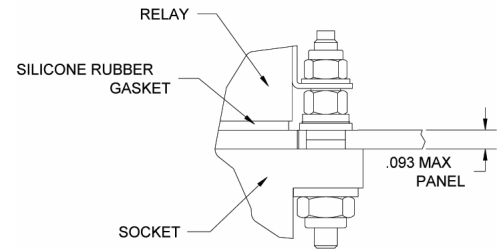
MIL-S-12883

SOCKET DRAWING

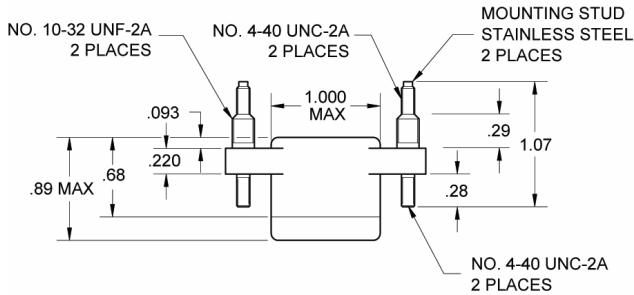
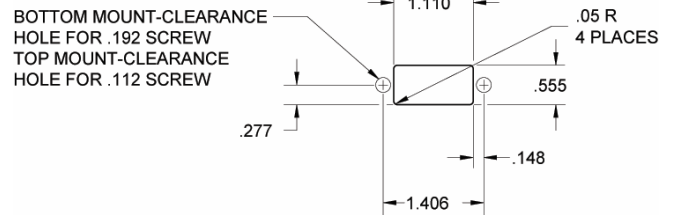


HARDWARE MOUNTING

MOUNTING DETAIL 2 PLACES



MOUNTING DIMENSIONS



GENERAL CHARACTERISTICS

Supplied with mounting hardware and No. 12 contacts and crimp for power terminals; No. 16 contacts and crimp for X coil; No. 22 contacts and crimp for Y coil.

Temperature range: -70° C to +125° C

Weight: .060 lbs. max

Standard tolerances: .xx ±.01; xxx ±.005